

Horizon® Imager Media Funnel Upgrade

Overview

Under certain circumstances, the old style funnels could cause color paper to jam while printing. This could happen when the paper curled and would catch on the funnels when rewinding between application of color dyes. The new funnels will prevent this type of jam from happening. Even if you have not experienced a problem, you should install the new funnels to prevent it from happening in the future.

This technical brief illustrates the removal of old style media funnels and the installation of new media funnels.

How to Tell What Style of Media Funnel You Have

Locate the media funnels, remove supply cassettes if present (see figure 2). There should be two media funnels. The lower one is clearly visible from outside the imager. Look at either end of the media funnels. The difference between the two media funnels is illustrated in figure 1.

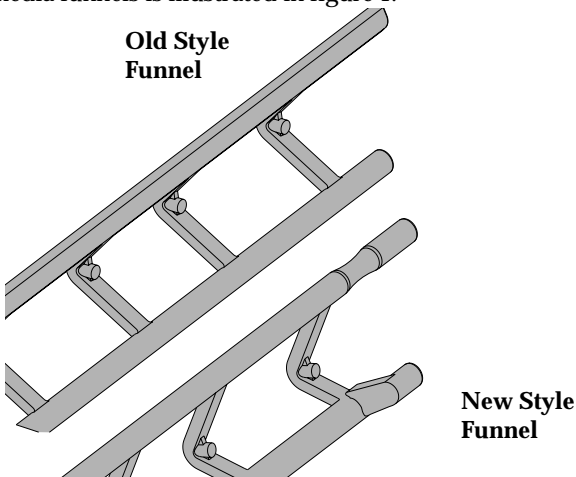


Figure 1

Removal Of Old Media Funnels

The old funnels must be removed before the new funnels can be installed. To remove the old funnels perform the following steps.

- ◆ Power down the imager using the front control panel.
- ◆ Flip the power rocker switch located in the rear of the imager.

- ◆ Remove the receive trays and supply cassettes.
- ◆ Locate the media funnels (see figure 2)

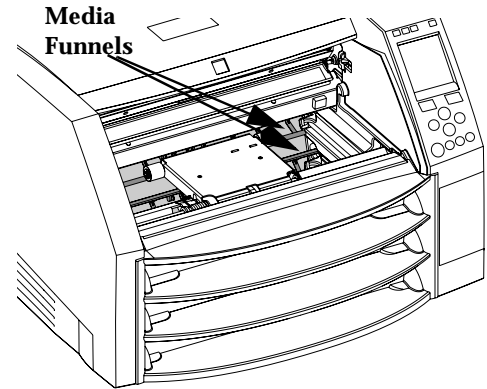


Figure 2

- ◆ When removing the funnels be careful not to scratch the polished sheet metal found immediately behind the media funnels. Any damage to this part could cause film scratches and degrade image quality.
- ◆ Carefully remove the old media funnels by first removing the upper leg on both sides of the imager as shown in figure 3. The media funnels will flex without breaking. (**Warning: do not damage the indicated sensor**)

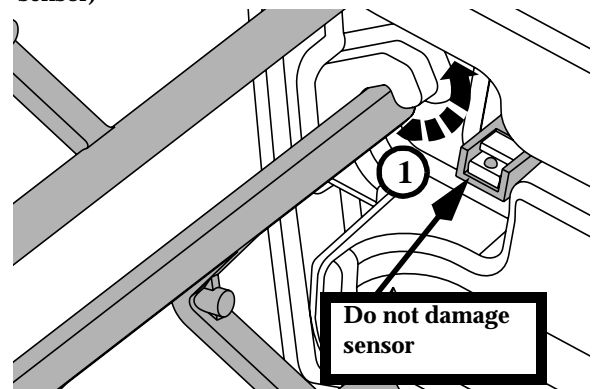


Figure 3

- ◆ Next remove the bottom leg on both sides (figure 4).

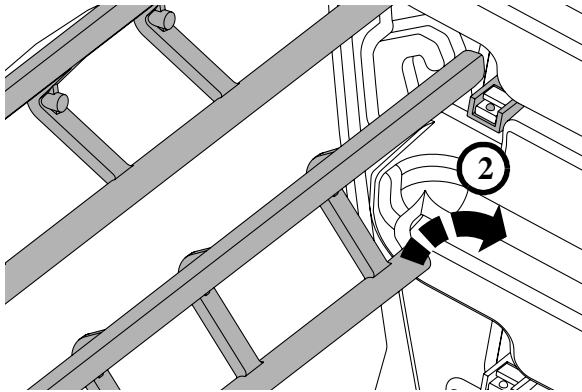


Figure 4

- ◆ Open cassette flap and carefully slide the media funnel out through the front of the imager as shown (figure 5).
- ◆ Repeat procedure for the second media funnel.

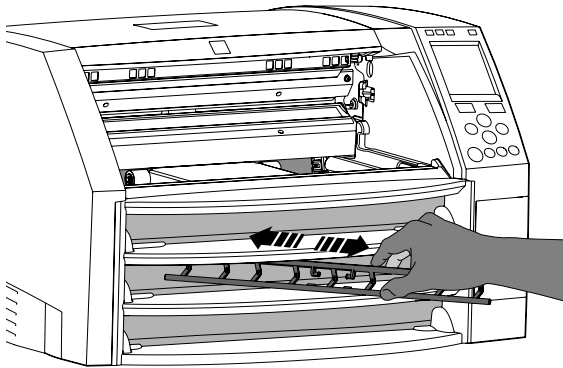


Figure 5

Installing New Media Funnels

To install the new media funnels perform the following steps:

- ◆ Slide the new funnel in as shown in figure 5.
- ◆ Being careful not to scratch the polished sheet metal. Insert the bottom leg of the funnel in both sides of the imager (figure 6). **Important: To ensure proper operation of imager, media funnels must be oriented as shown.**

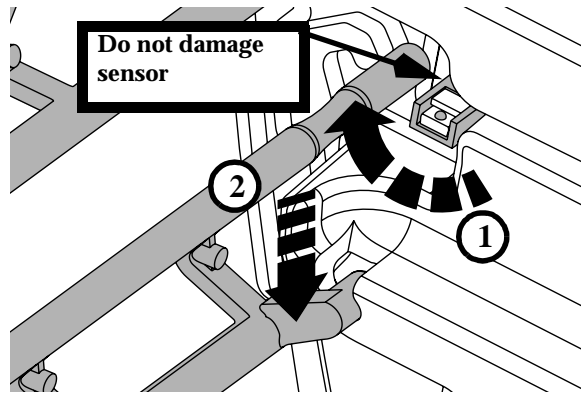


Figure 6

- ◆ Rotate the top leg into place as shown in figure 7. Make certain not to over rotate the funnel as shown in figure 8.
- ◆ Repeat procedure for the second media funnel

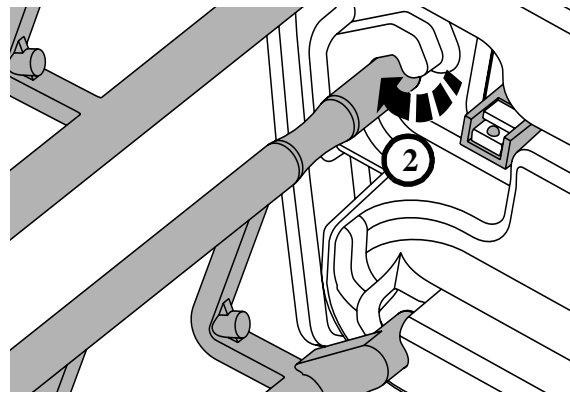


Figure 7

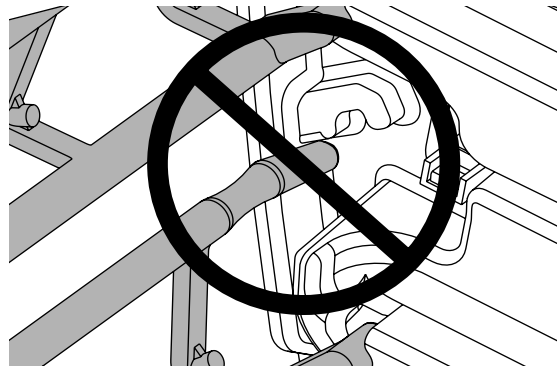


Figure 8

**Get it all with just one call
1-800-444-1198**

All registered and unregistered trademarks are the property of their respective owners. Specifications subject to change without notice.

Copyright © 2002 by Codonics, Inc. Printed in the U.S.A. Part No. 901-081-001 Rev. 2.



CODONICS®
We bring the future into focus

17991 Englewood Drive
Middleburg Heights, OH 44130 USA
(440) 243-1198
(440) 243-1334 Fax
Email info@codonics.com
www.codonics.com

Codonics Limited KK
New Shibaura Bldg. F1
1-3-11, Shibaura
Minato-ku, Tokyo, 105-0023 JAPAN
Phone: 81-3-5730-2297
Fax: 81-3-5730-2295